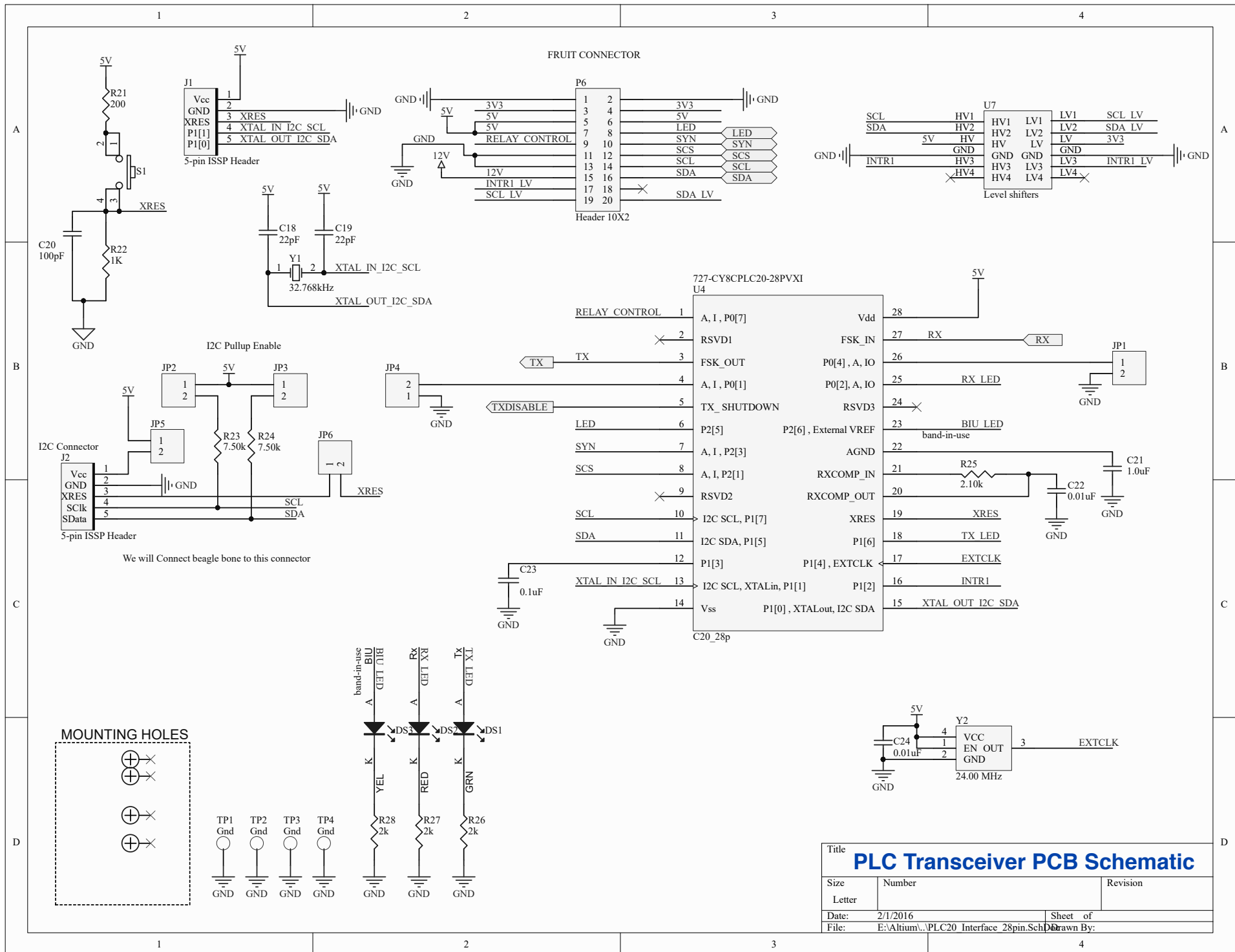
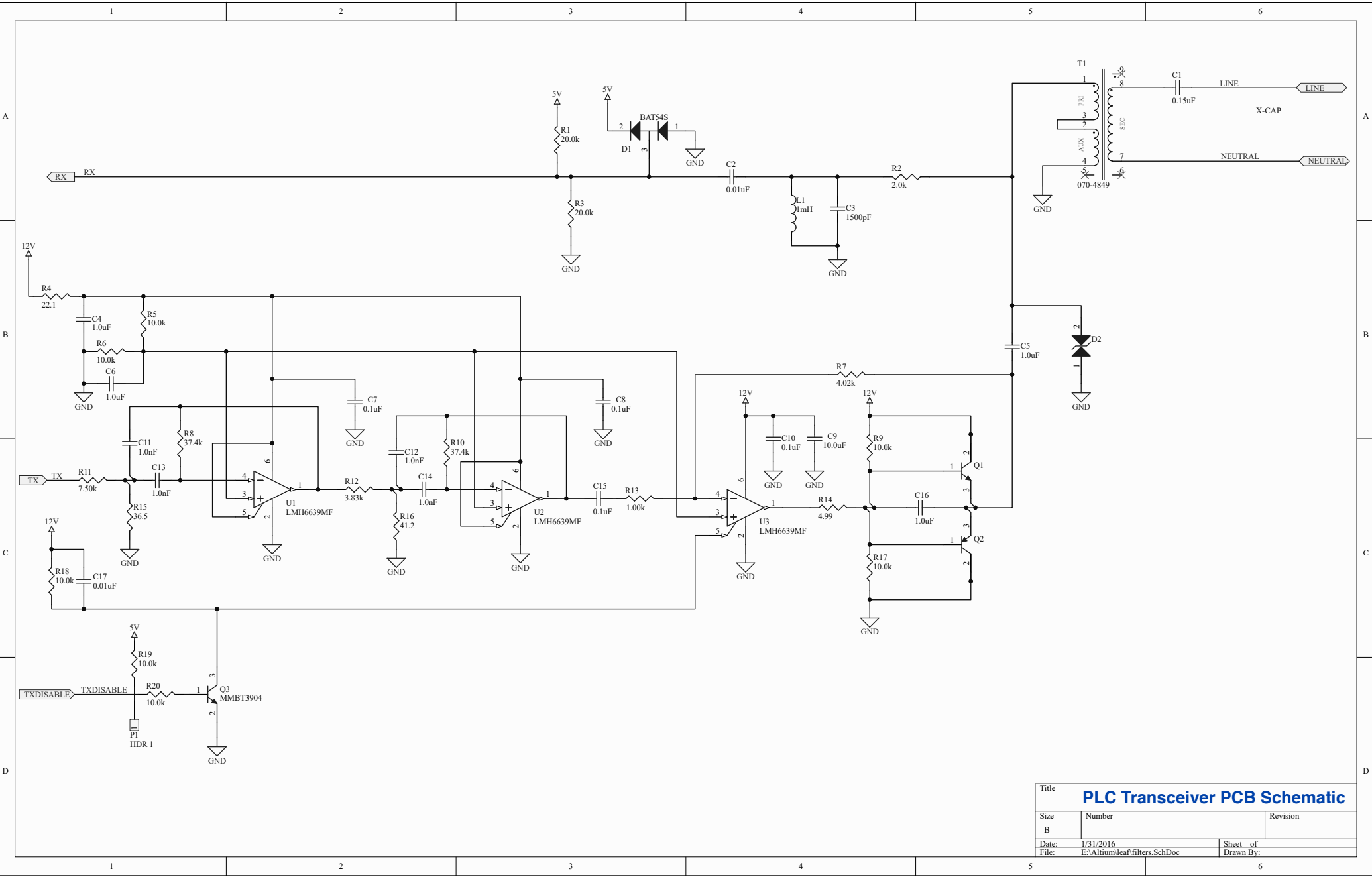


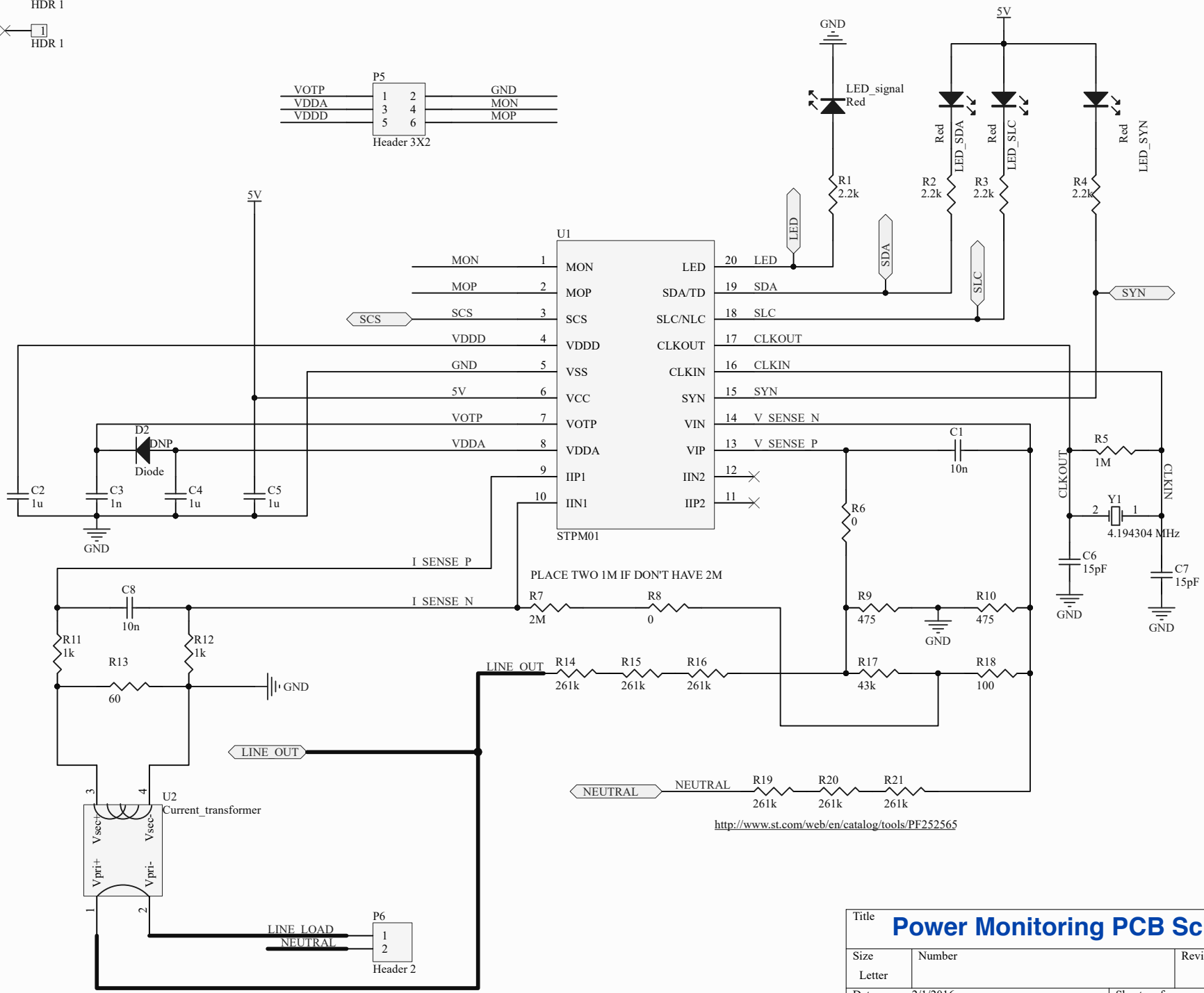
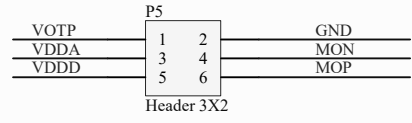
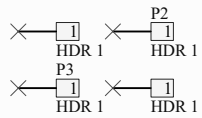
Title				PLC Transceiver PCB Schematic			
Size	Number			Revision			
A							
Date:	2/11/2016			Sheet of			
File:	E:\Altium\leaf\Power supply.SchDoc			Drawn By:			



Title		
PLC Transceiver PCB Schematic		
Size	Number	Revision
Letter		
Date:	2/1/2016	Sheet of
File:	E:\Altium\PLC20 Interface 28pin.SchDoc	Drawn By:

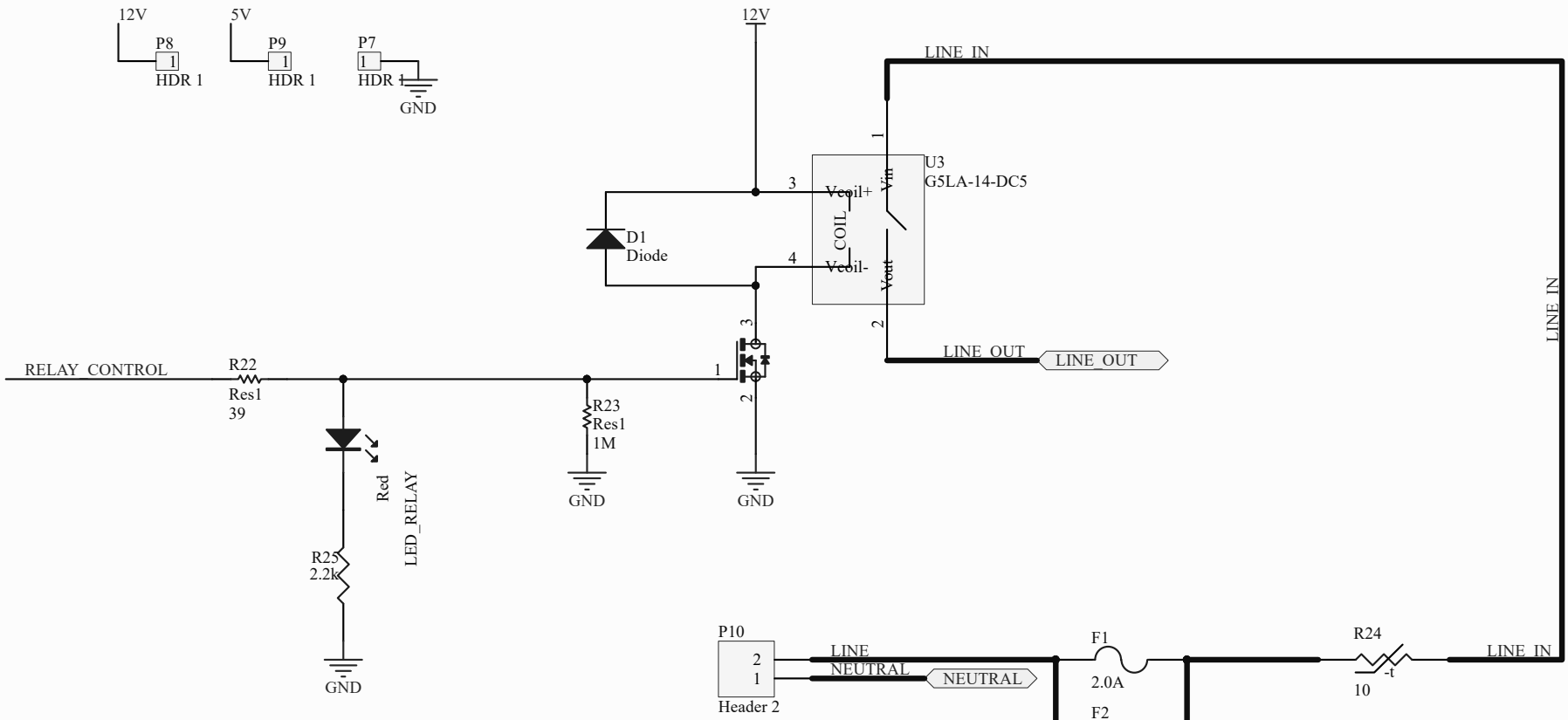


Title		
PLC Transceiver PCB Schematic		
Size	Number	Revision
B		
Date:	1/31/2016	Sheet of
File:	E:\Allium\leaf\filters.SchDoc	Drawn By:

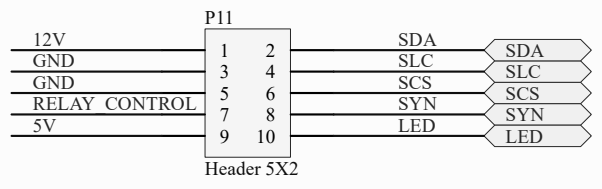
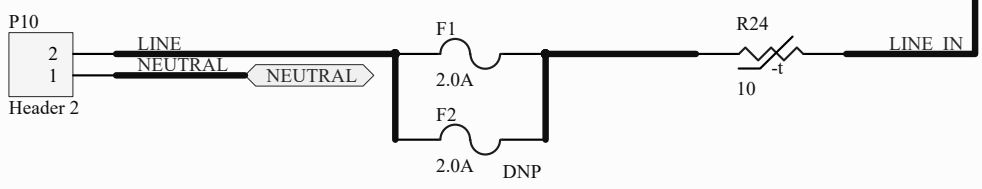
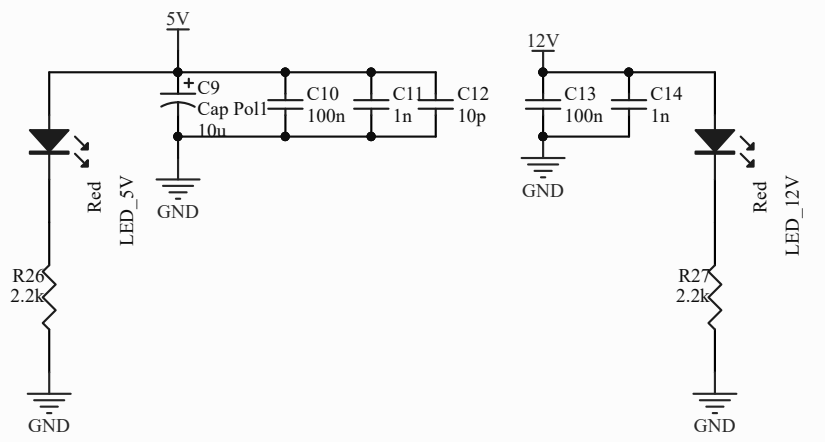


<http://www.st.com/web/en/catalog/tools/PF252565>

Title			Power Monitoring PCB Schematic		
Size	Number		Revision		
Letter					
Date:	2/1/2016		Sheet of		
File:	E:\Altium\fruit\fruit.SchDoc		Drawn By:		



Decoupling Caps



Title			
Power Monitoring PCB Schematic			
Size	Number	Revision	
A			
Date:	2/1/2016	Sheet of	
File:	E:\Altium\fruit\relay.SchDoc	Drawn By:	